

MALE

MATERIAL

INSULATOR: PBT+30% GLASS FIBER(UL 94V-0)

CONTACT: BRASS

CONTACT PLATED: GOLD FLASH

SHELL: STEEL, TIN PLATED

SPECIFICATION

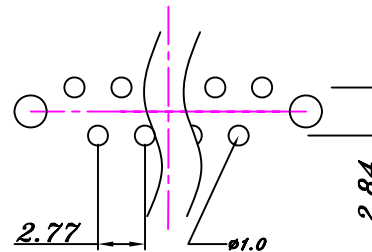
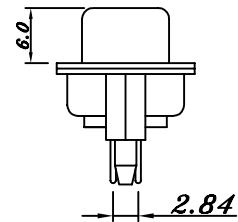
CURRENT RATE: 5 AMPS

INSULATOR RESISTANCE: 1000MΩ MIN. AT 500V DC

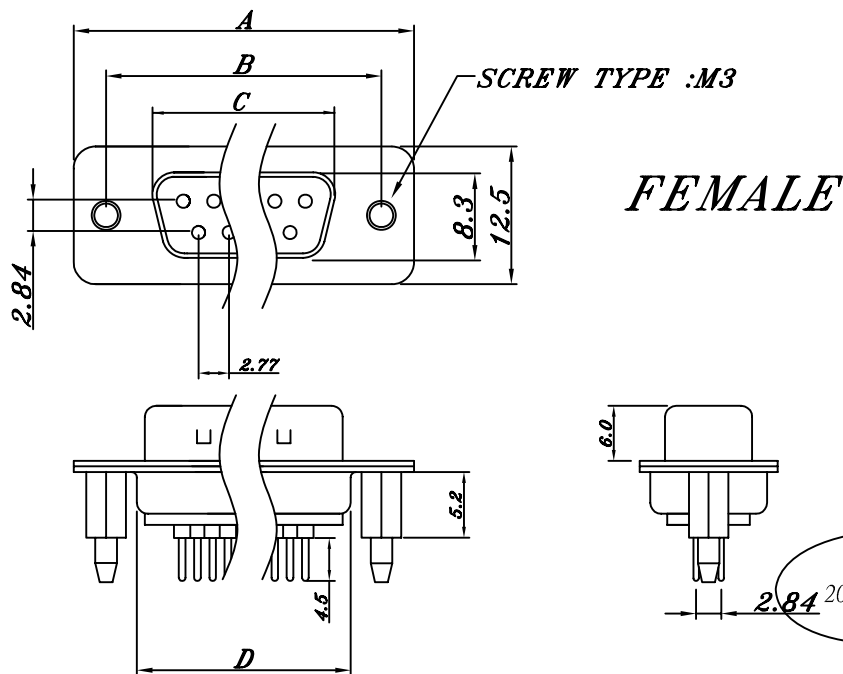
CONTACT RESISTANCE: 25m MAX.

DIELECTRIC STRENGTH: 500V PER MINUTE

OPERATION TEMPERATURE: -55°C TO +105°C



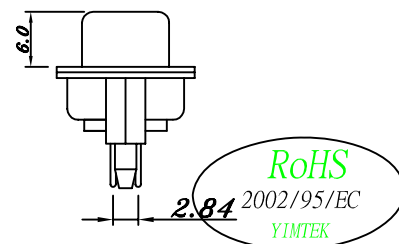
POSITION	A	B	C	D
9M	30.8	25.00	16.92	19.2
15M	39.2	33.30	25.25	27.7
19M	44.8	38.86	30.60	32.8
23M	50.3	44.30	35.90	38.3
25M	53.1	47.10	38.96	41.1
37M	69.4	63.50	55.42	57.3



FEMALE

P.C.B LAYOUT

POSITION	A	B	C	D
9F	30.8	25.00	16.30	19.2
15F	39.2	33.30	24.60	27.7
19F	44.8	38.86	30.00	32.8
23F	50.3	44.30	35.30	38.3
25F	53.1	47.10	38.30	41.1
37F	69.4	63.50	54.80	57.3



PROJECTION 	TOLERANCE UNLESS OTHERWISE SPECIFIED XX ± 0.5 .X ± 0.25 .XX ± 0.10 .XXX ± 0.05		YIMTEX 穎鎂企業有限公司 YIMTEX ELECTRONIC CO., LTD.		
	UNITS MM			DATE.	06/04/11
			REVISE.	A/0	
	APPROVAL	CHECKED	DRAWING	TITLE.	405-SERIES
			Ben	PART NO.	D-SUB CONNECTOR STRAIGHT TYPE
				DWG NO.	YM-405-0009