

Pitch:2.54mm Fully Shrouded Headers For PCB

**Special Options Contact Our Sales Team.*

MATERIAL

Insulator:PBT or Nylon UL94V-0

Contact:Copper Alloy

SPECIFICATIONS

Current Rating:1A AC,DC

Withstanding Voltage:1000V AC/minute

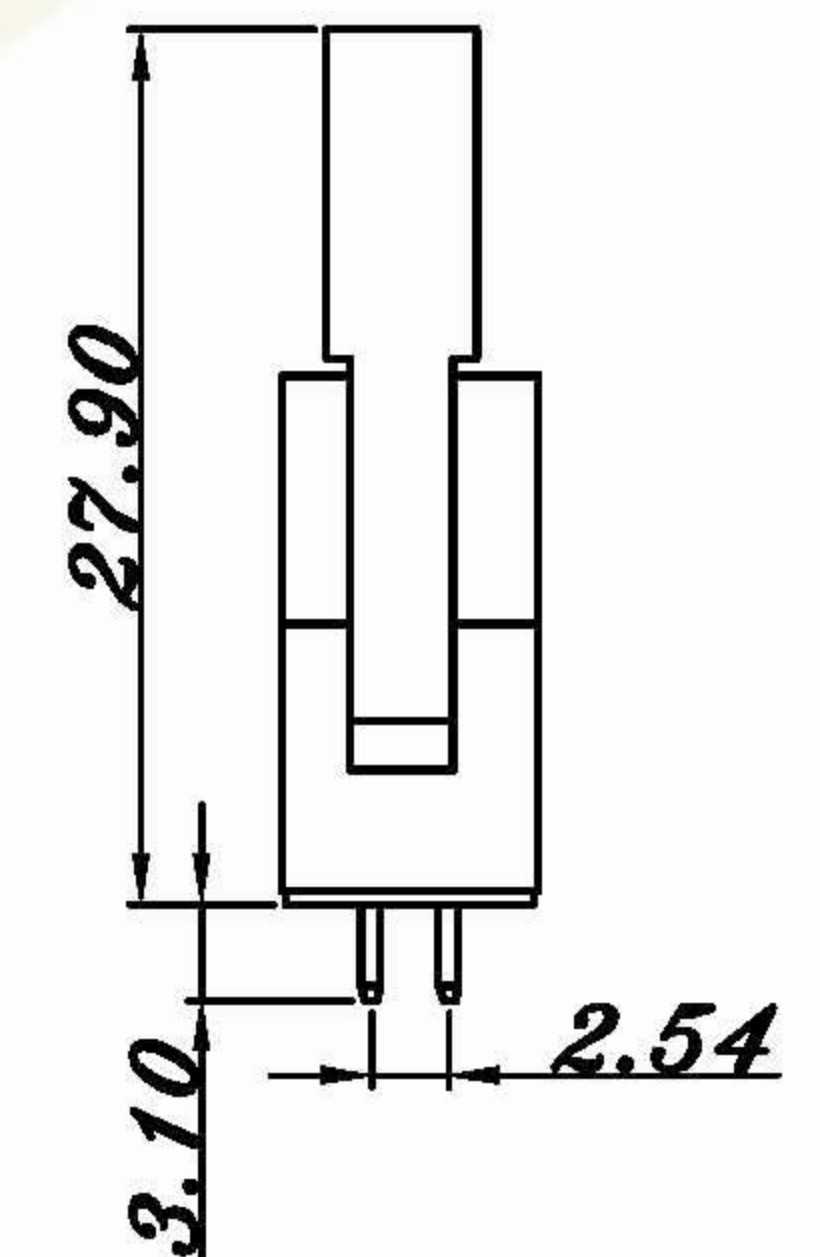
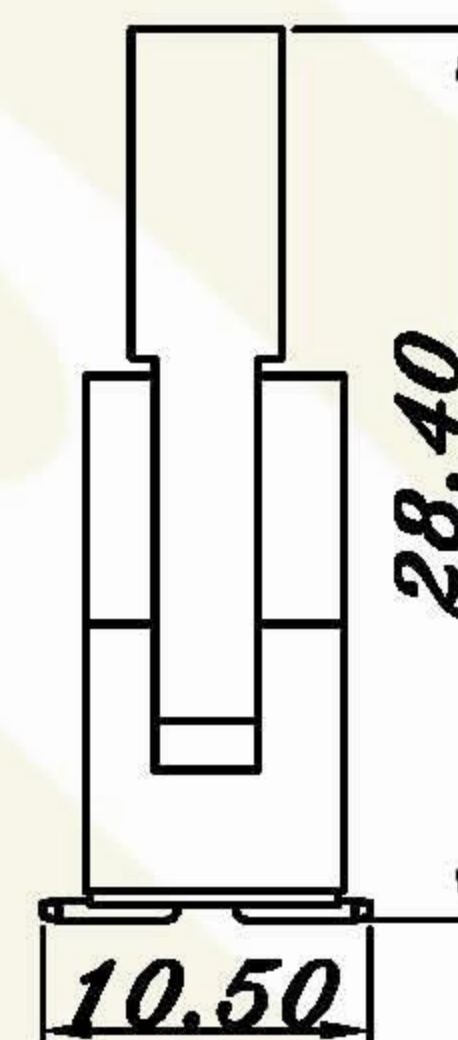
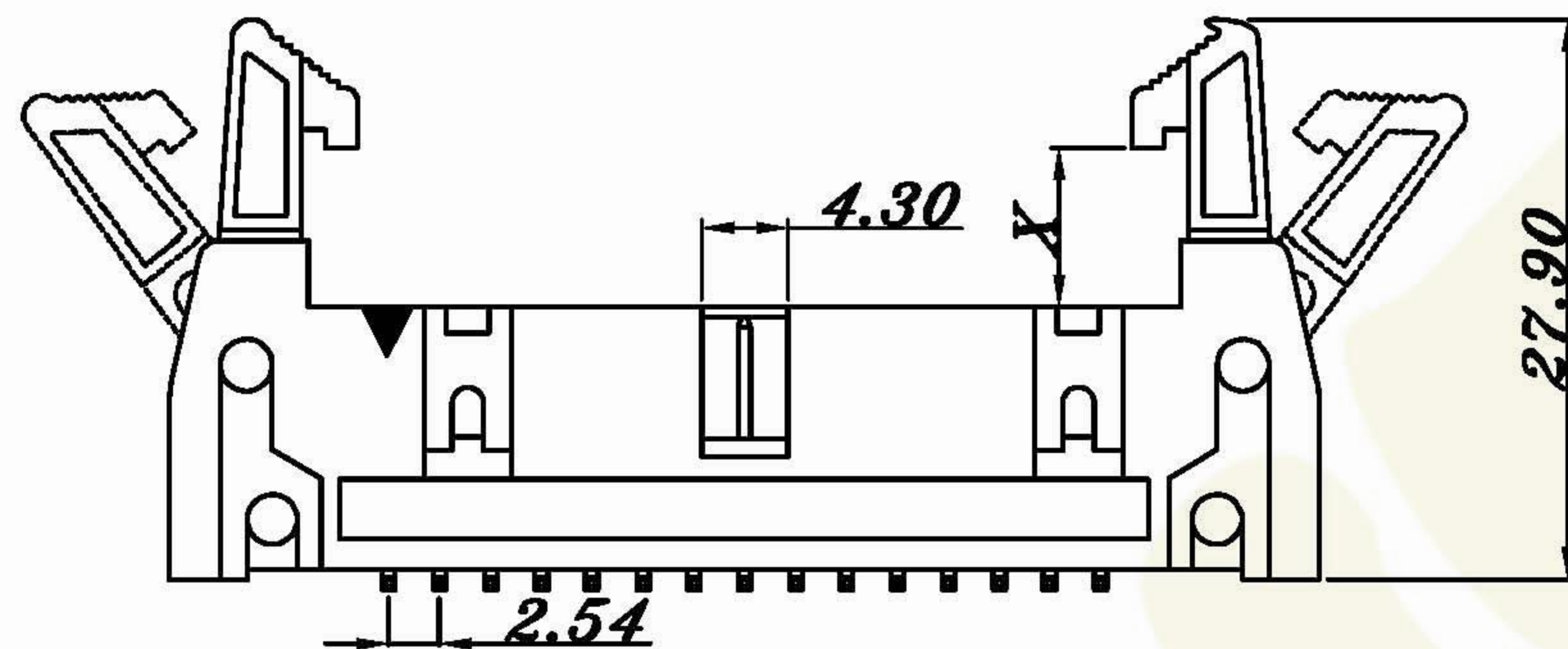
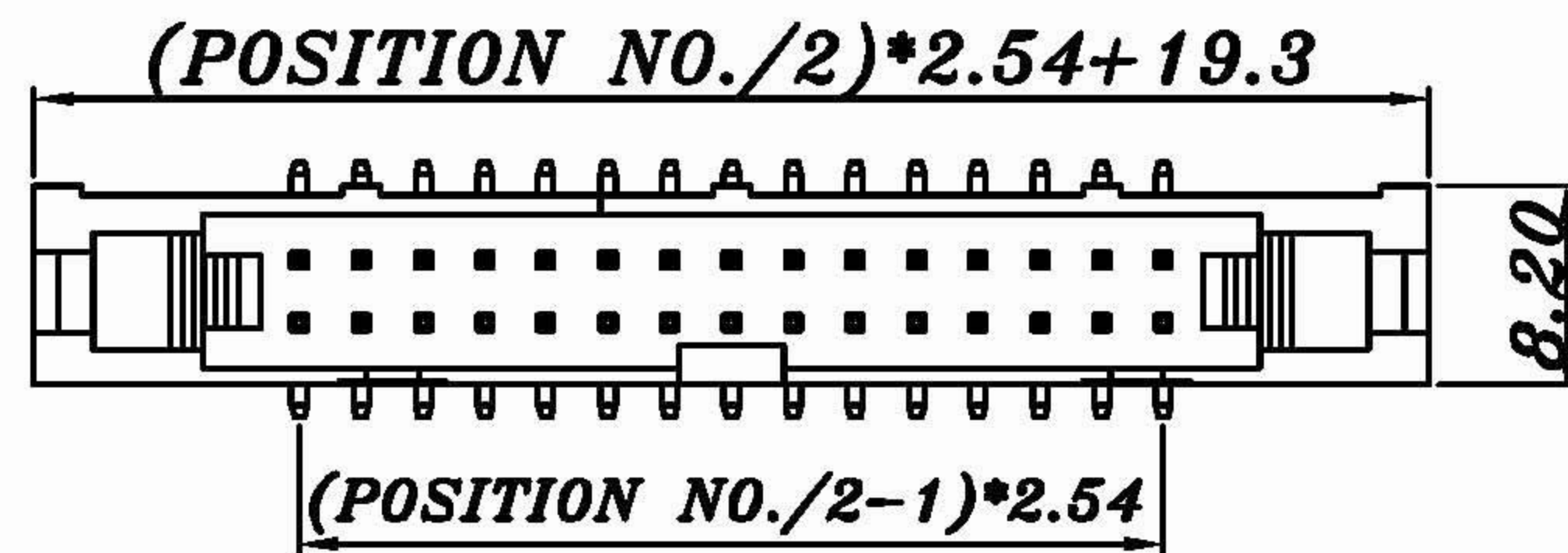
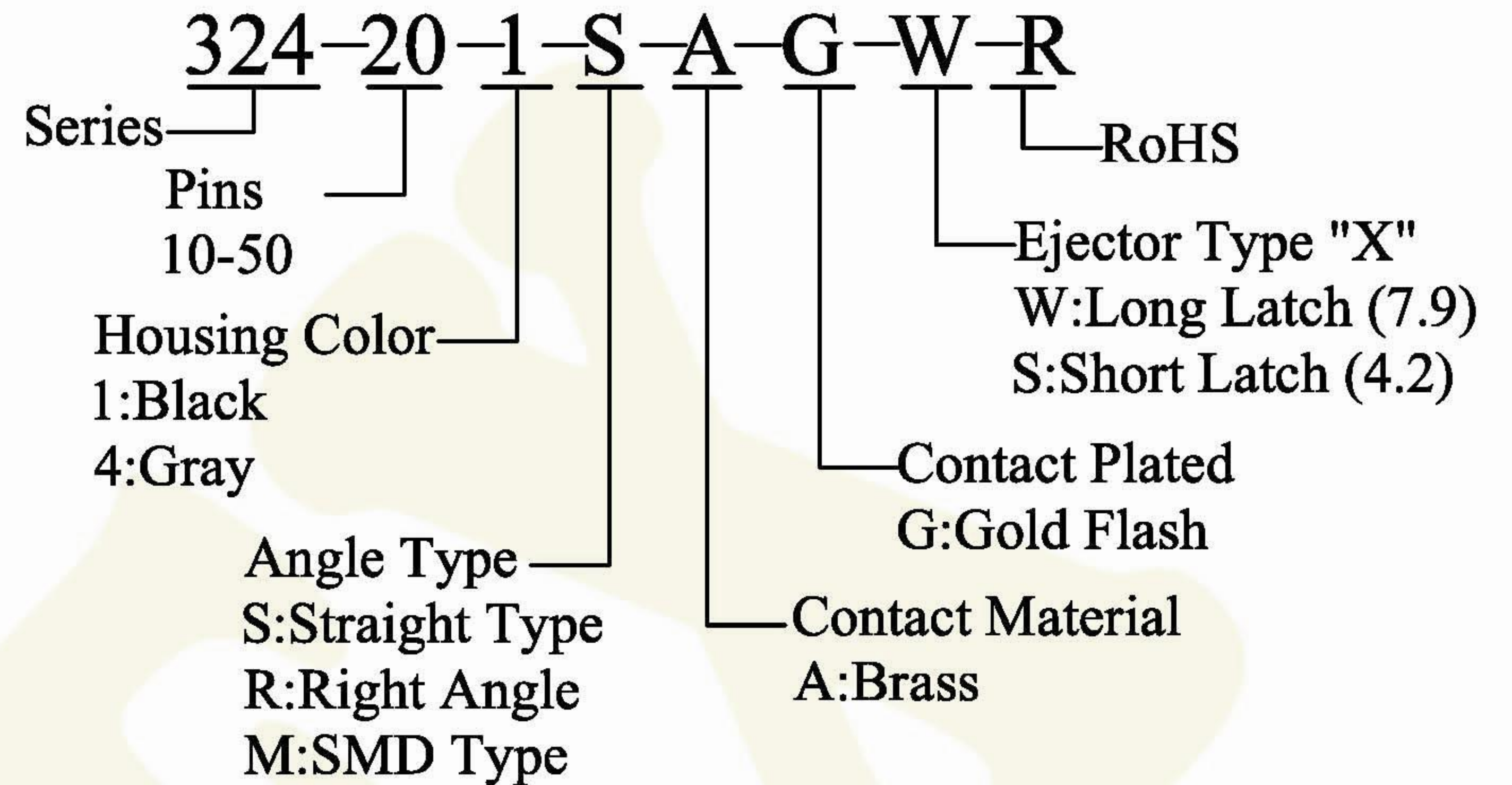
Insulation Resistance:1000MΩ Min.

Temperature Range:-40°C~+105°C

POSITION
10
12
14
16
20
26
34
40
50



ORDER



324