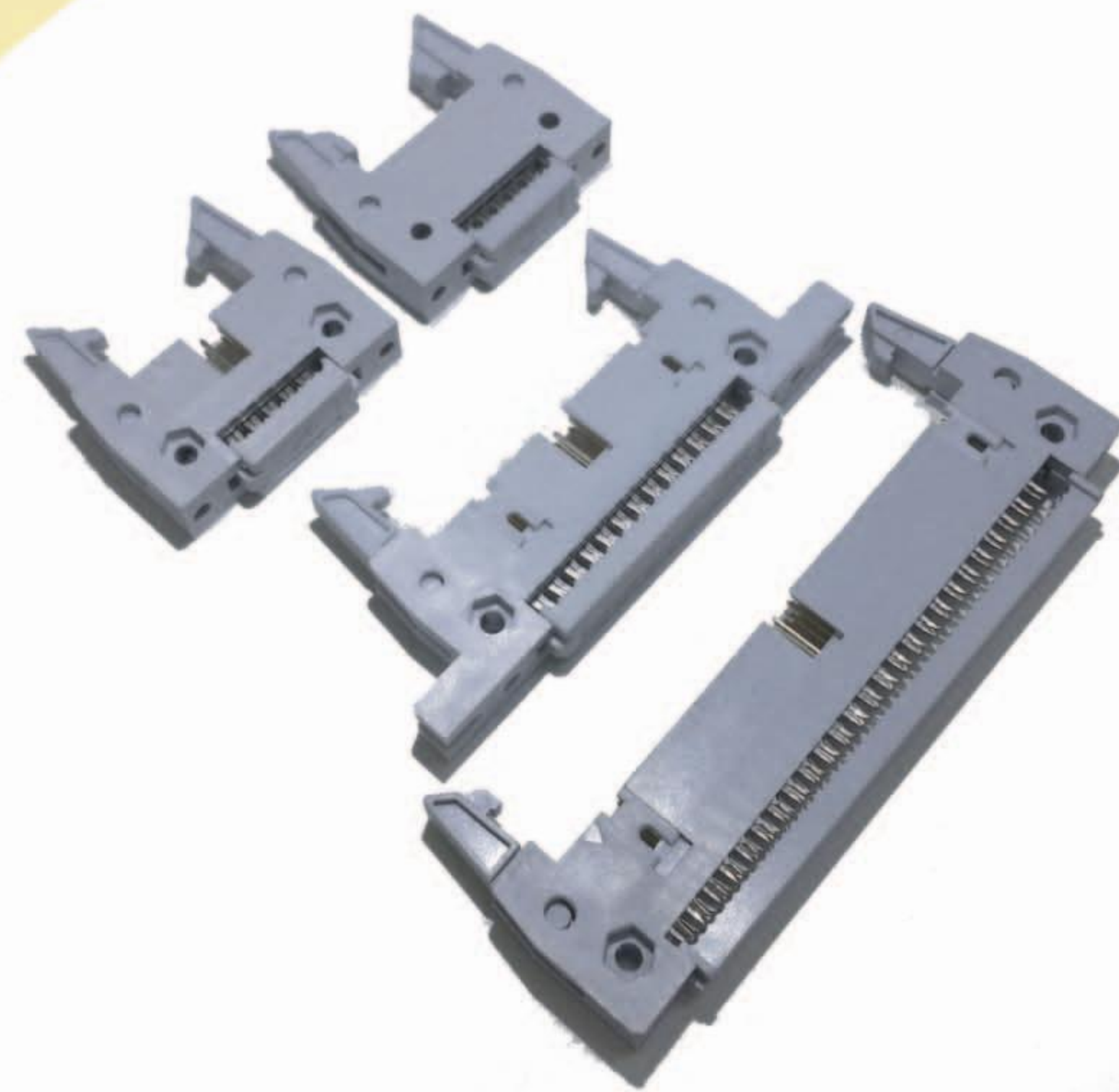


Pitch:2.54mm Fully Shrouded Headers For Ribbon Cable



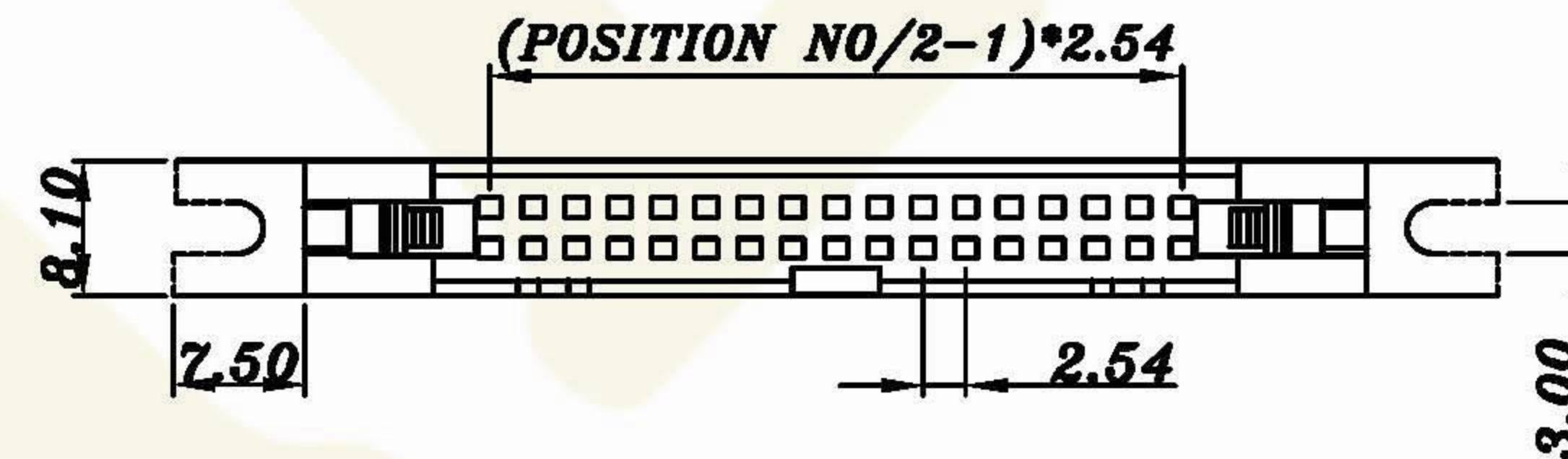
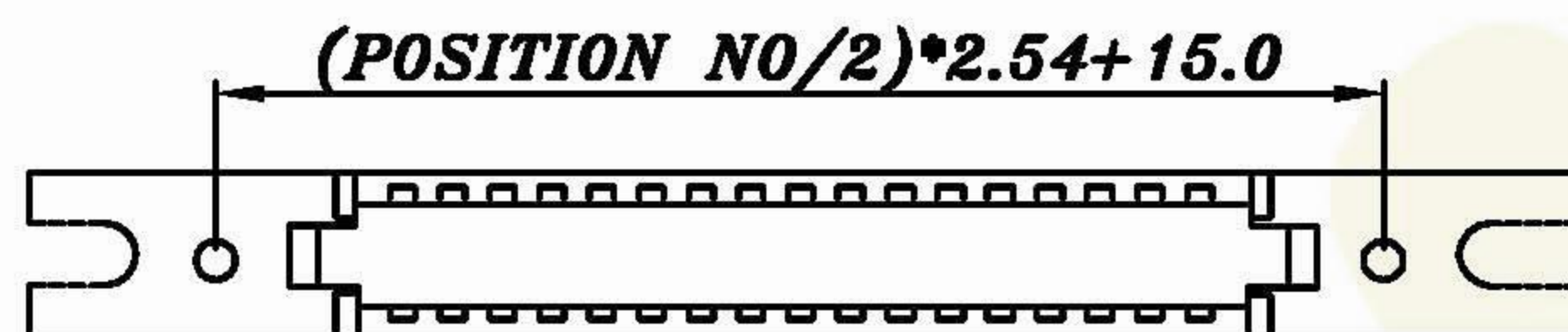
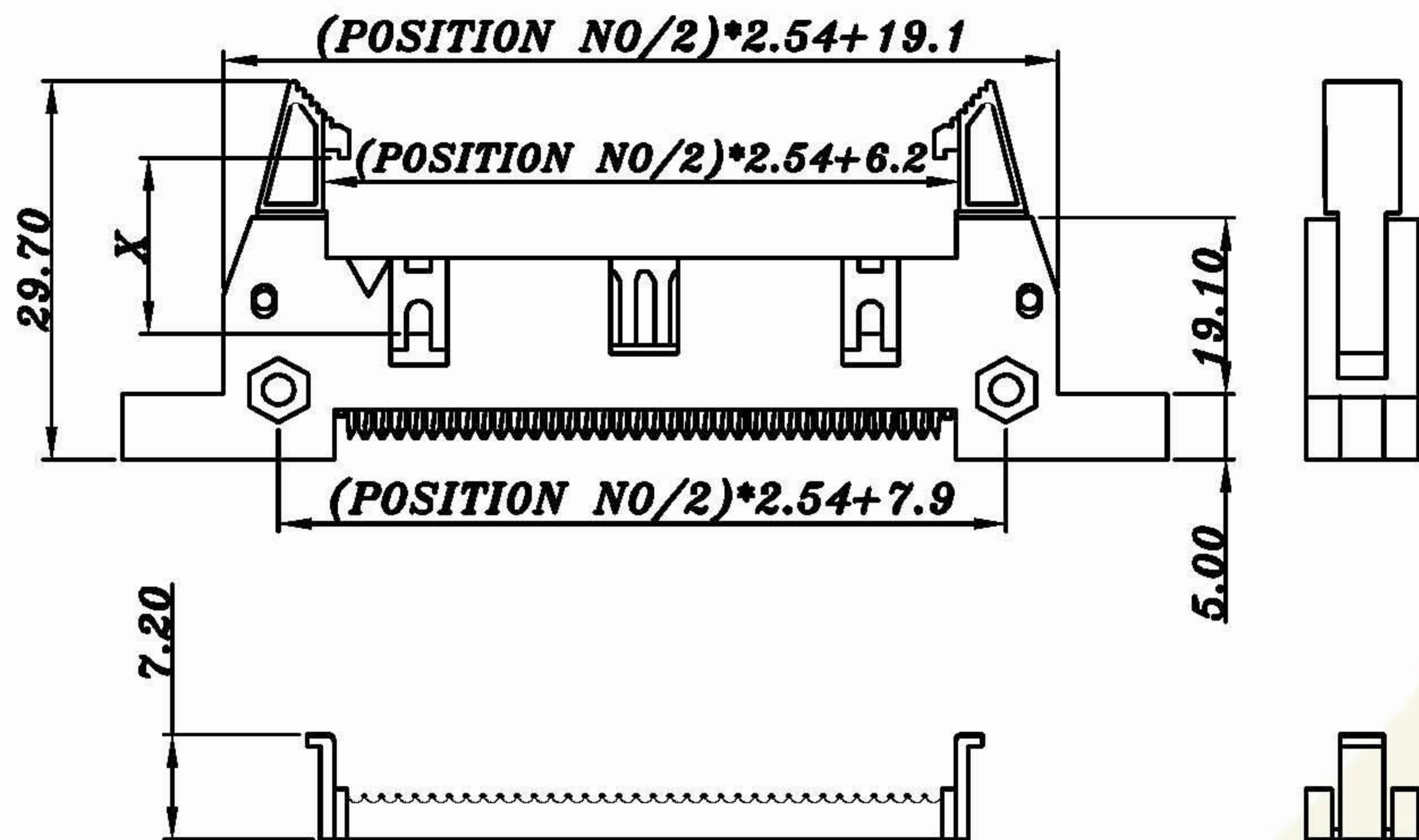
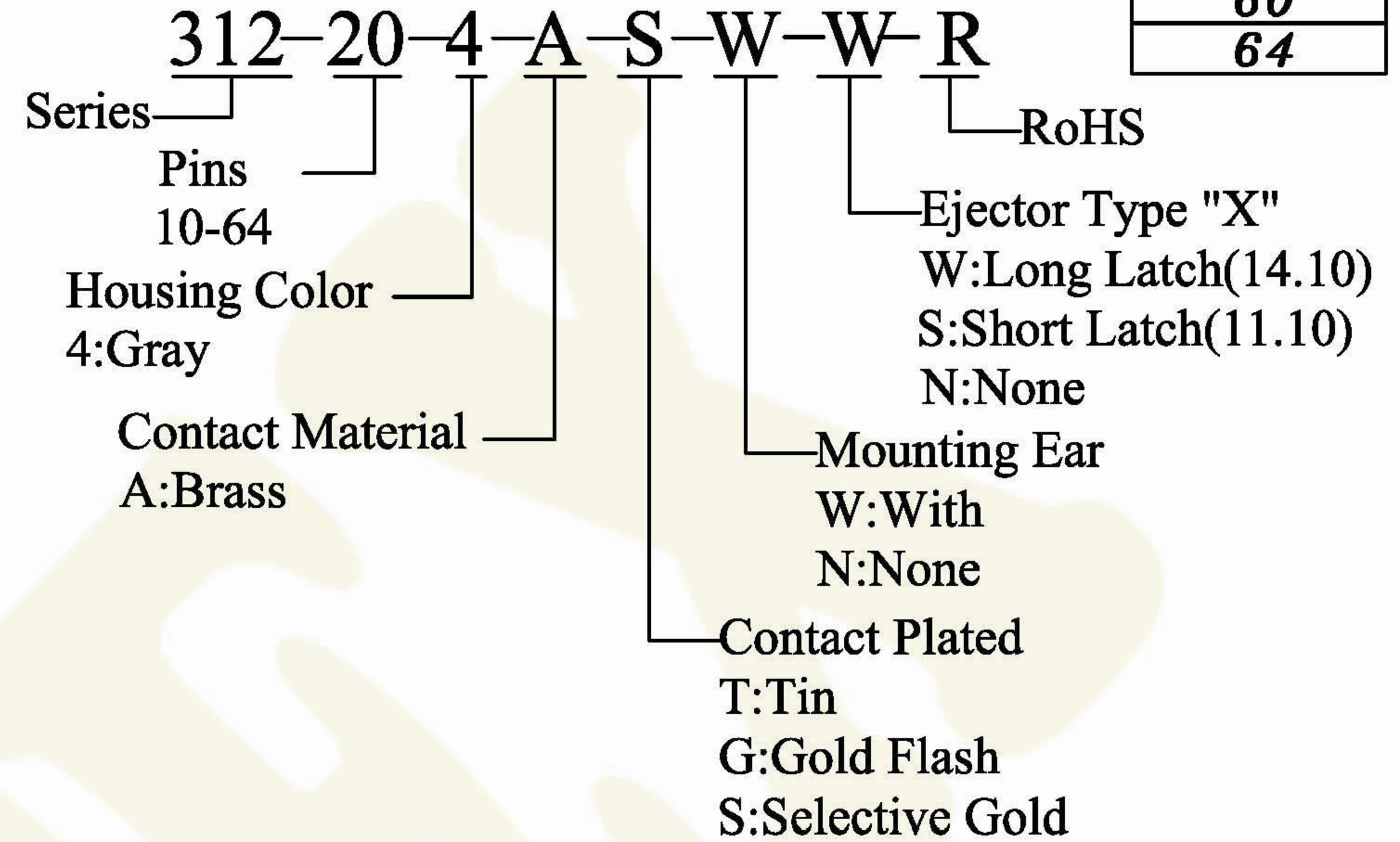
MATERIAL
 Insulator:PBT UL94V-0
 Contact:Copper Alloy

**Special Options Contact Our Sales Team.*

SPECIFICATIONS
 Current Rating:1A AC,DC
 Withstanding Voltage:500V AC/minute
 Insulation Resistance:5000MΩ Min. at 500V DC.
 Temperature Range:-40°C~+105°C

POSITION
10
12
14
16
20
24
26
30
34
50
60
64

ORDER



312