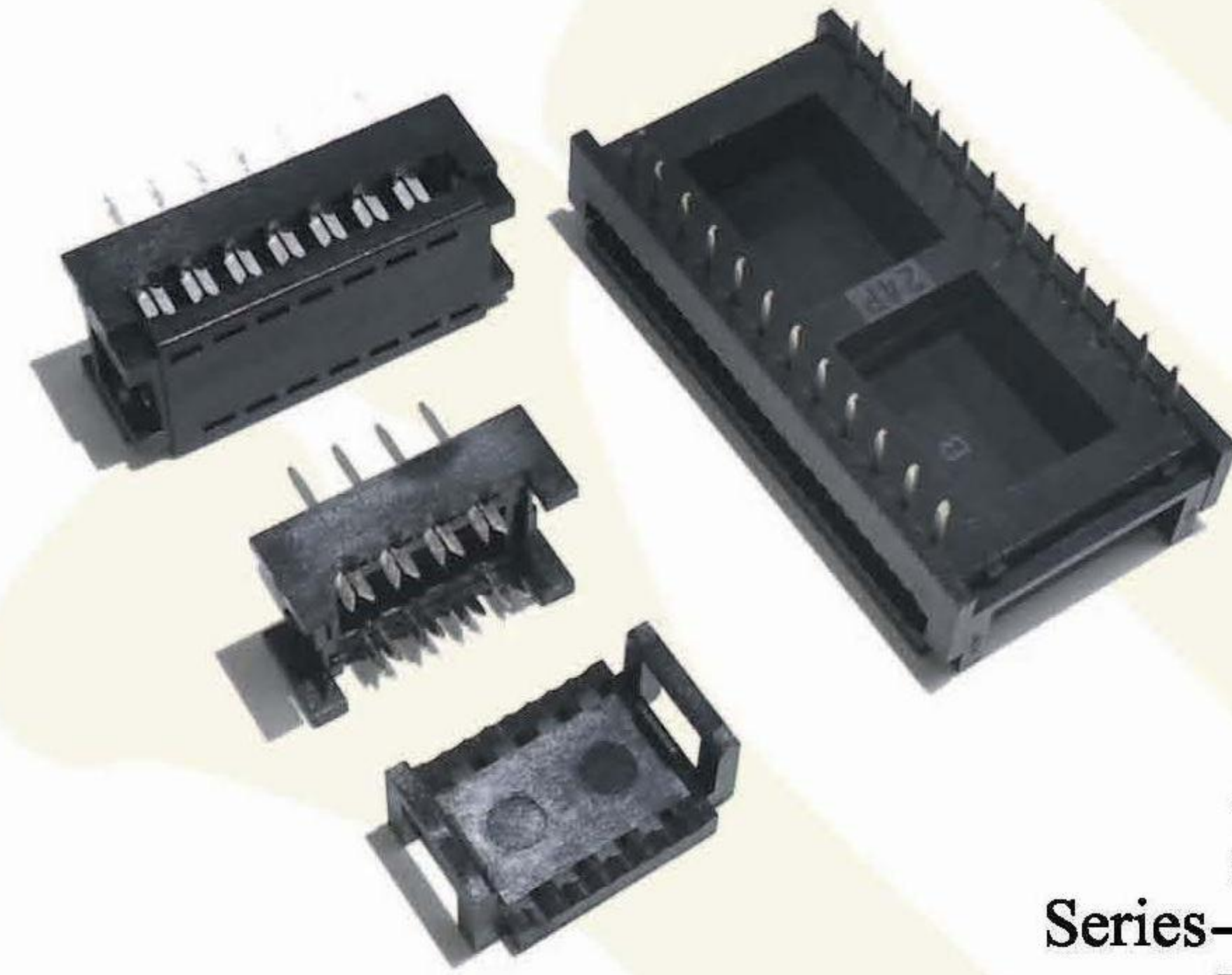


Pitch:2.54mm DIP PLUG Wide Type For Ribbon Cable



MATERIAL

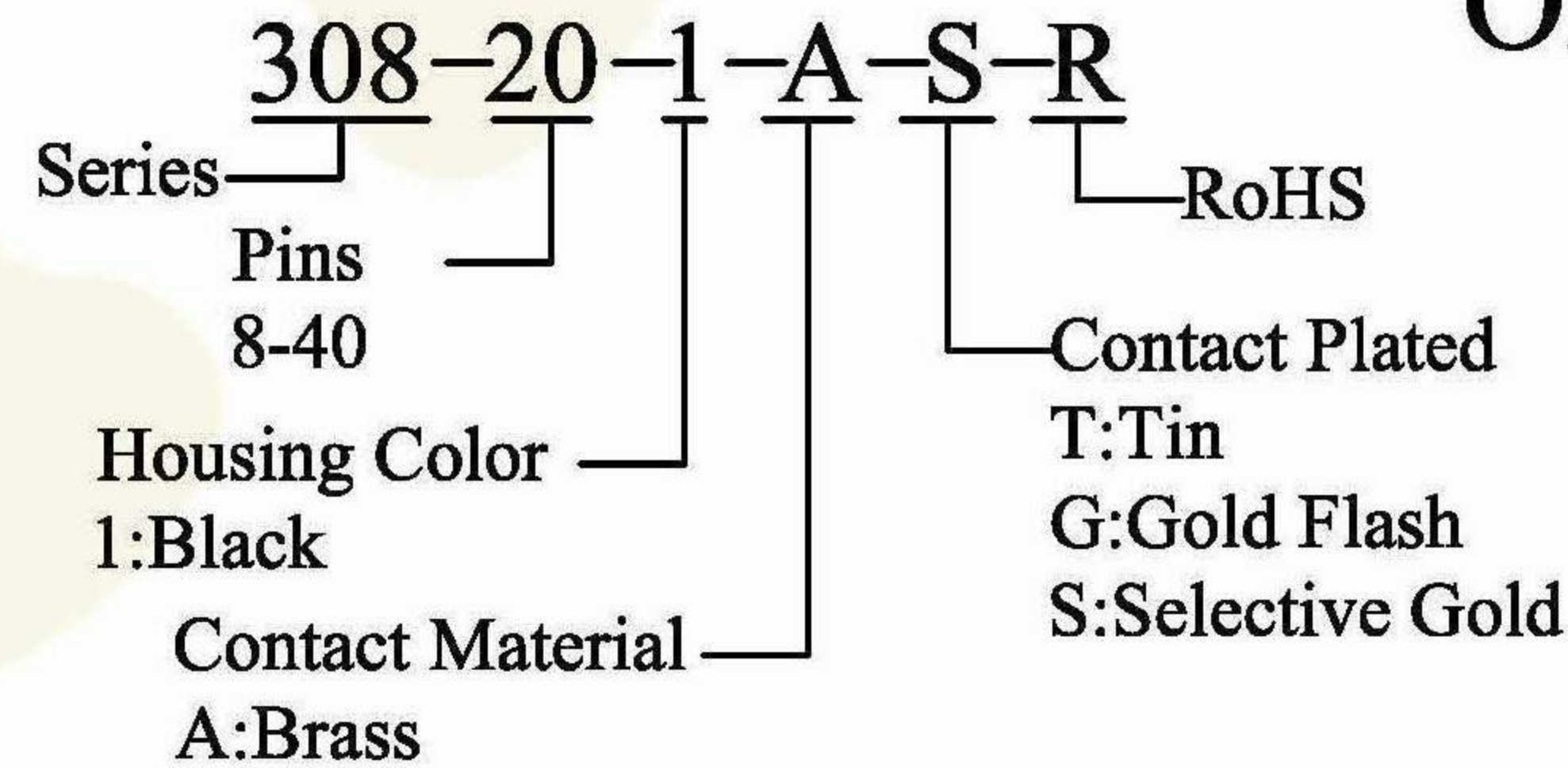
Insulator:PBT UL94V-0
Contact:Copper Alloy

*Special Options Contact Our Sales Team.

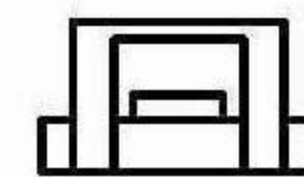
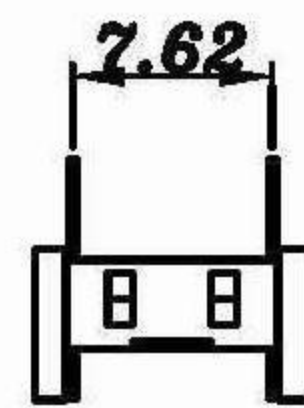
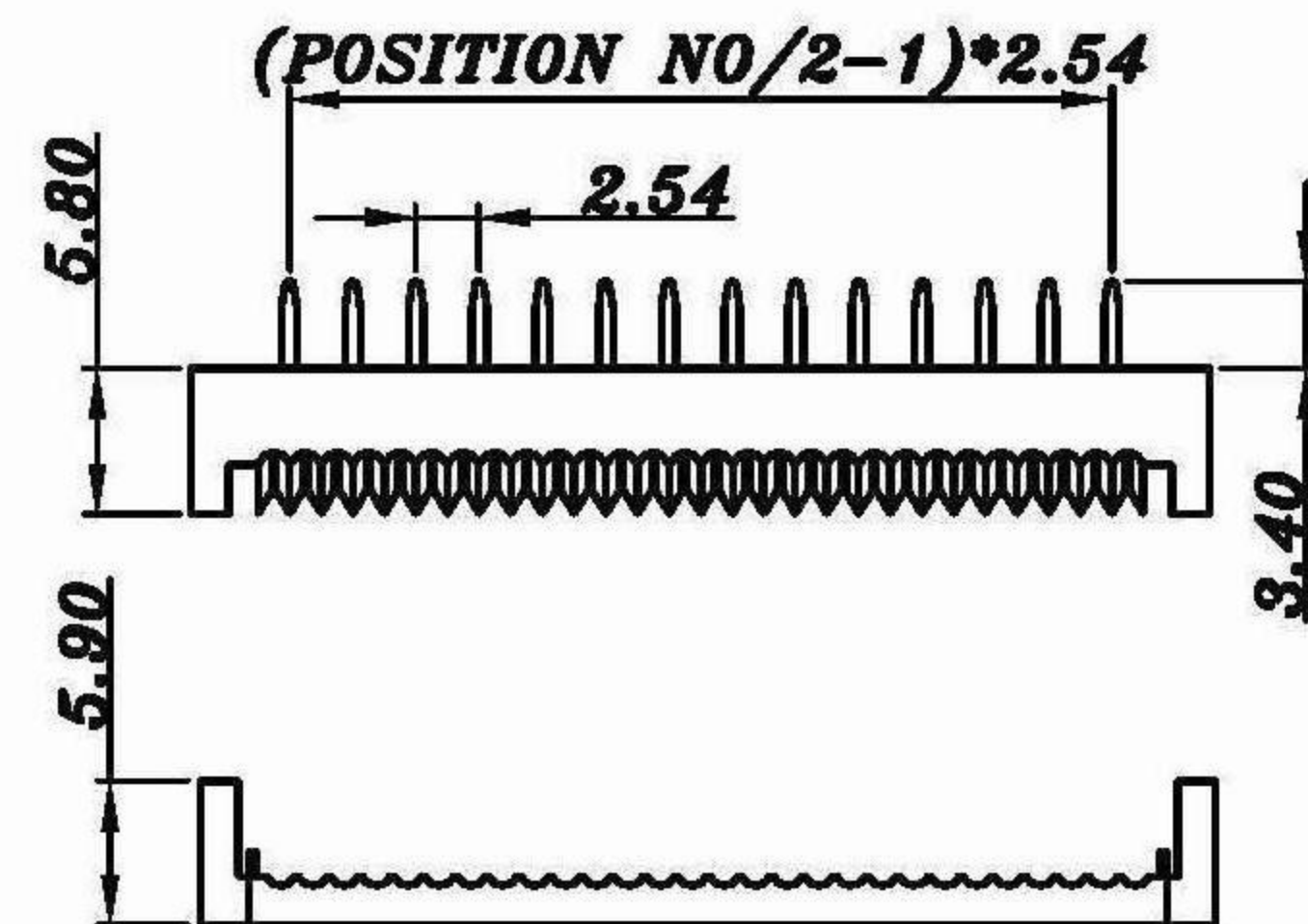
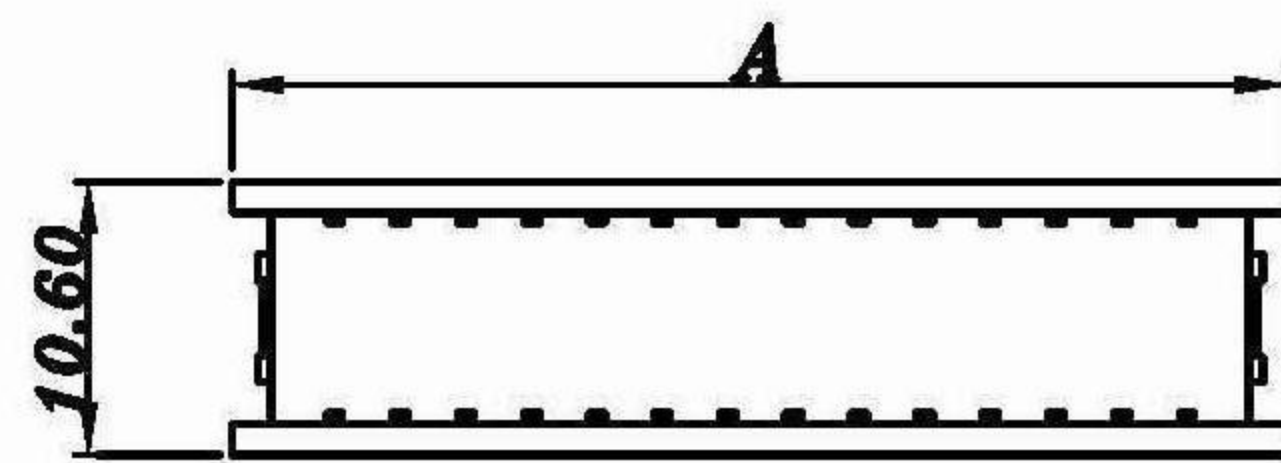
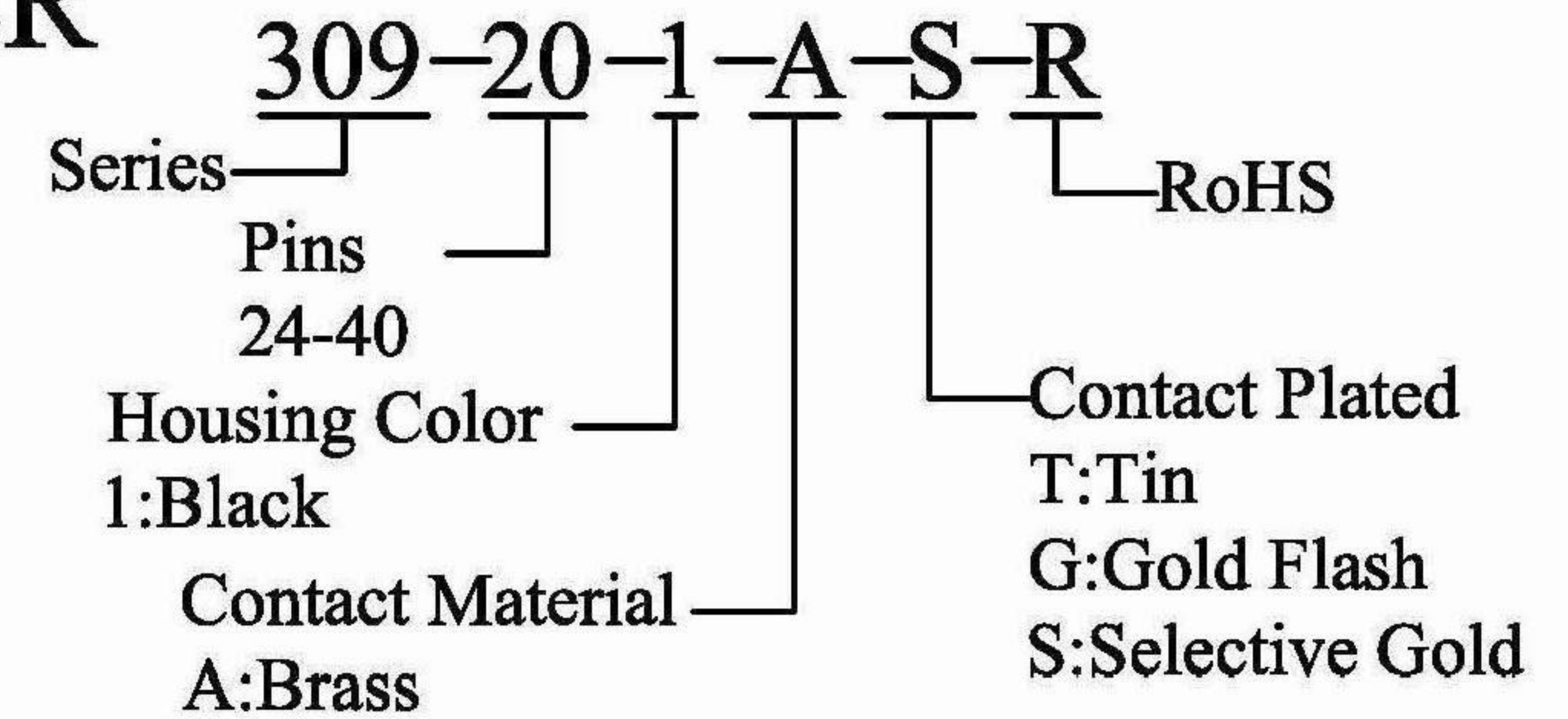
SPECIFICATIONS

Current Rating:1A AC,DC
Withstanding Voltage:500V AC/minute
Insulation Resistance:1000MΩ Min.
Temperature Range:-40°C~+105°C

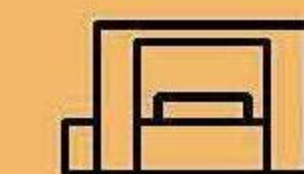
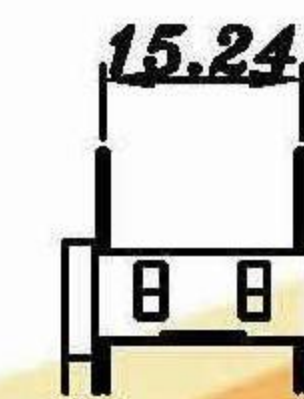
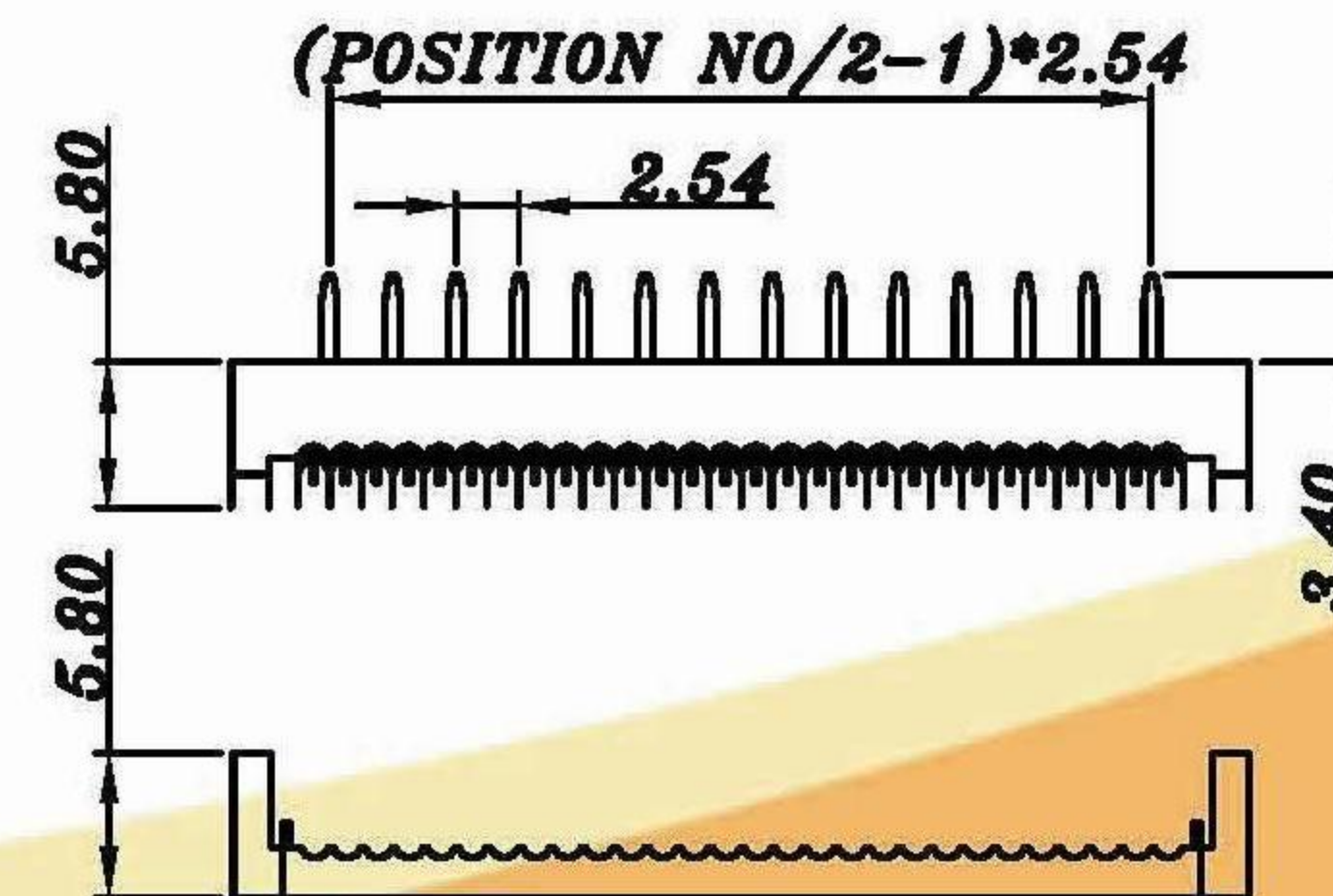
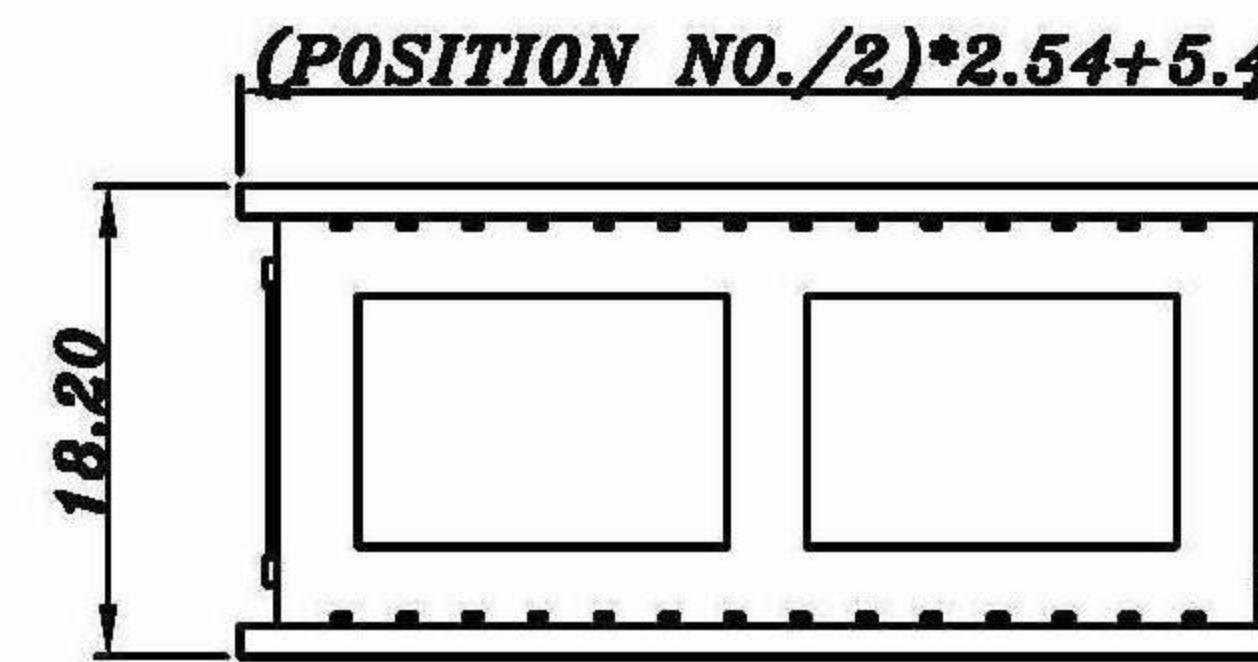
308(0.1"X0.3")



ORDER



POSITION	A
8	15.45
10	17.95
14	23.05
16	25.50
18	28.12
20	30.68
24	35.80
28	40.81
40	56.15



POSITION
24
28
32
36
40

309(0.1"X0.6")

308&309

