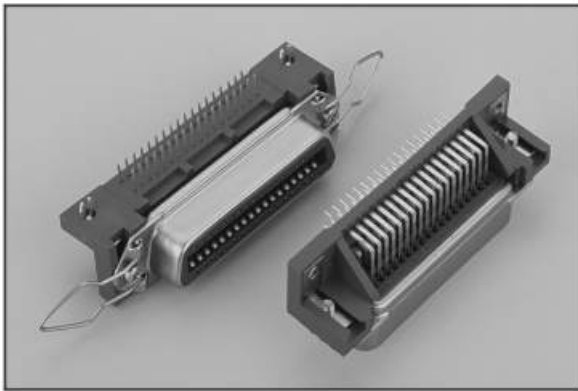


CENTRONIC RIGHT ANGLE TYPE

YIMTEX .

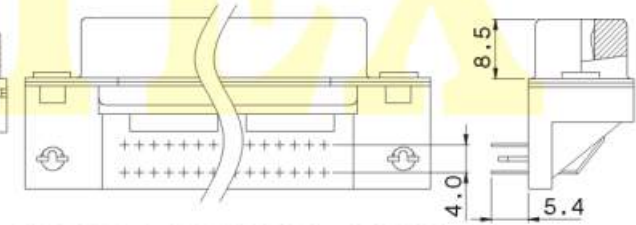
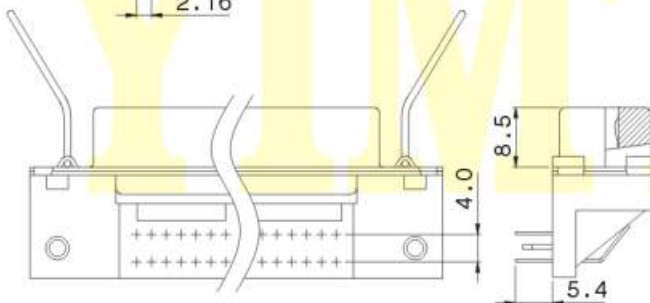
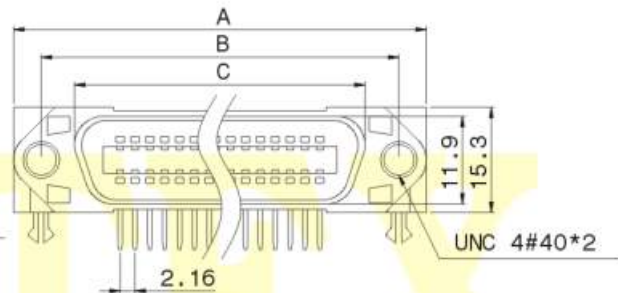
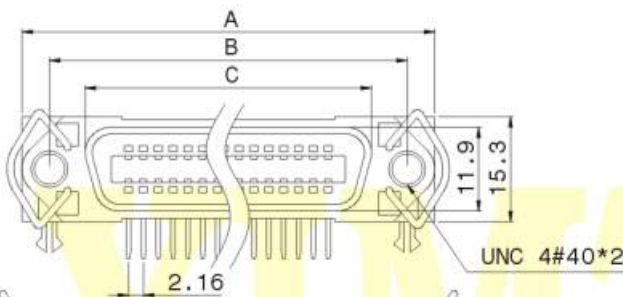


MATERIAL

Insulator :PBT+30% Glass Fiber (UL94V-0)
 Contact :Phosphor Bronze
 Contact Plated:Gold over Nickel
 Shell :Steel,Zinc plated or Tin plated

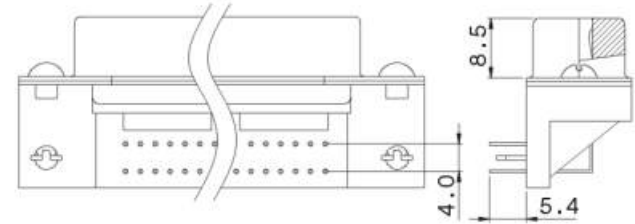
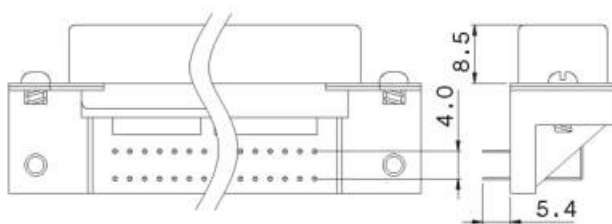
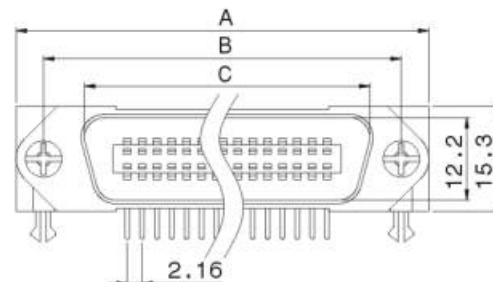
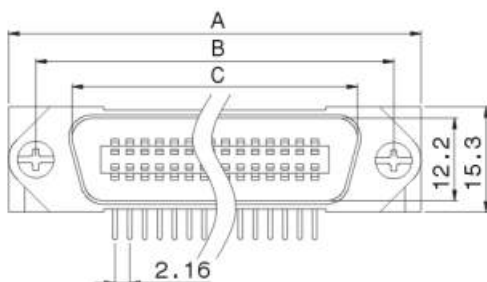
SPECIFICATION

Current Rate :5 Amps
 Insulator Resistance :1000M Ω Min. at 500V DC
 Dielectric Strength :500V per minute
 Operation Temperature:-55°C to + 105°C



RIVET L-SHAPE (FEMALE)

RIVET BOARDLOCK (FEMALE)

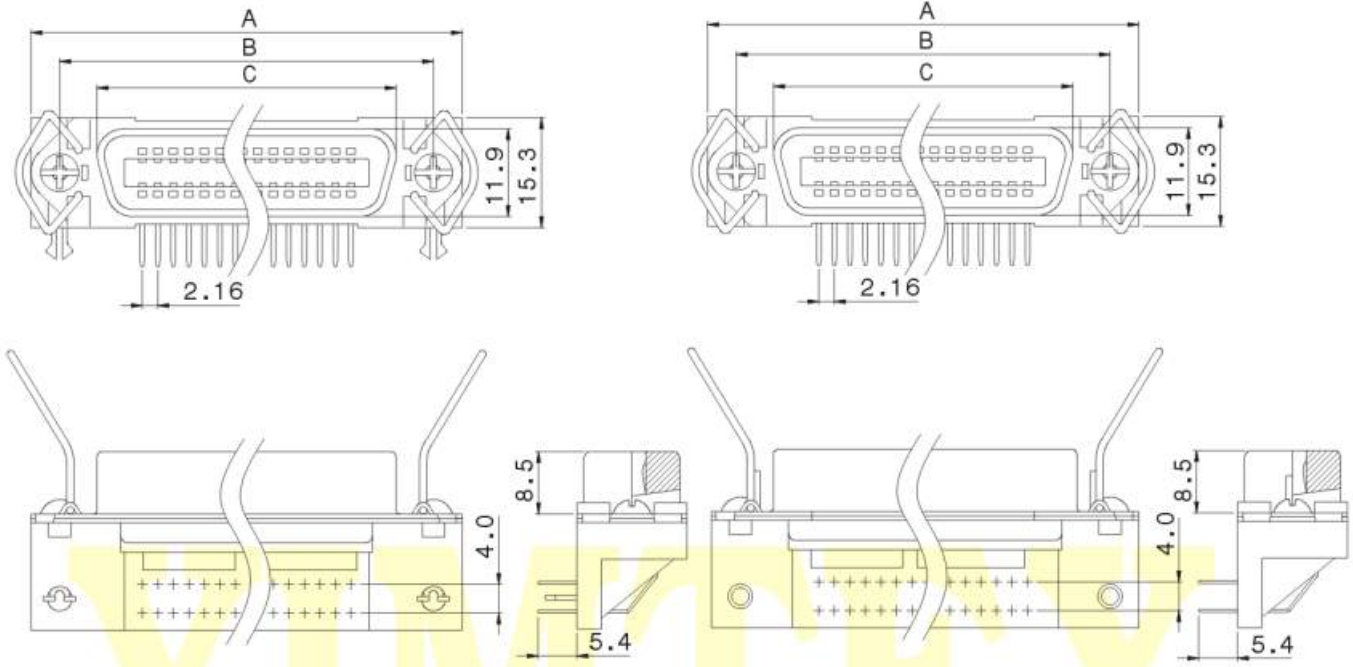


SCREW L-SHAPE (MALE)

SCREW BOARDLOCK (MALE)

CENTRONIC RIGHT ANGLE TYPE

YIMTEX .



SCREW BOARDLOCK W/LATCH (FEMALE)

SCREW L-SHAPE W/LATCH (FEMALE)

POSITION	A	B	C
14F	43.90	36.00	25.20
24F	54.70	46.80	36.00
36F	67.70	59.70	48.90
50F	82.80	74.90	64.10

POSITION	A	B	C
14M	43.90	36.00	25.50
24M	54.70	46.80	36.30
36M	67.70	59.70	49.30
50M	82.80	74.90	64.40

ORDER INFORMATION:

Series No.	Pins	Contact Type	Housing Color	Shell Plating	Contact Plating	Mounting Method	Accessories
410	14	S	1	N	S	A	N
	14	P: Plug	1: (Black)	N: Nickel	T: Tin	A: Screw W/L-Shape	N: None
	24	S: Socket	3: (Blue)		S: Selective Gold	B: Screw W/ Boardlock	A: W/ Latch
	36				G: Gold Flash	C: Rivet W/ Boardlock	
	50				S1: 5u" Selective Gold	D: Rivet W/L-Shape	
					S2: 15u" Selective Gold		
					S3: 30u" Selective Gold		
					G1: 5u" Gold Flash		
					G2: 15u" Gold Flash		
					G3: 30u" Gold Flash		